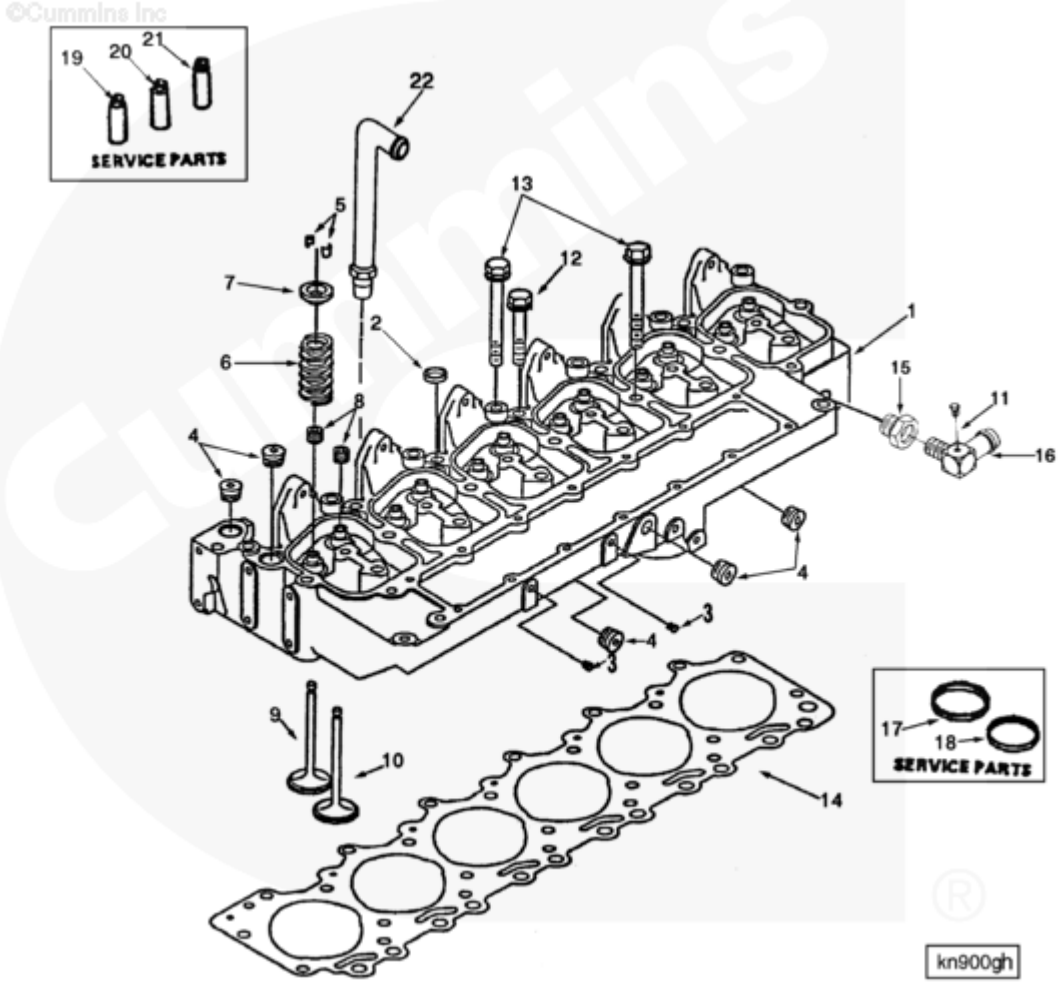




Parts Catalog - Option Detail

Electronic Parts Catalog - Option Detail				
Option	Group	Graphic	Film Card	Date
PP953	02.01	kn900gh	T	24-AUG-95
Engines	4B3.9, 6A3.4, 6B5.9, B GAS INTERNATIONAL CM556, B4.5, B4.5 CM2350 B129B, B4.5 CM2350 B146C, B4.5 CM2350 B147B, B4.5 RGT, B4.5S, B5.9 G, B5.9 GAS PLUS CM556, B5.9 LPG, B5.9 LPG PLUS CM556, B6.7 CM2350 B121B, B6.7 CM2350 B135B, B6.7 CM2350 B136C, B6.7 CM2350 B148B, B6.7 G CMOH6.0 B125, B6.7N CM2380 B150B, B6.7S, F3.8 CM2350 F120B, F3.8 CM2350 F128C, F3.8 CM2350 F132B, F3.8 F102, G3.9, G5.9, G5.9 CM558, ISB (CHRYSLER), ISB CM2150, ISB CM2150 E, ISB CM550, ISB CM850, ISB/ISD4.5 CM2150 B119, ISB/ISD4.5 CM2150 SN, ISB/ISD6.7 CM2150 B120, ISB/ISD6.7 CM2150 SN, ISB/ISD6.7 CM2880 B126, ISB3.9 CM2220 B107, ISB4.5 CM2150, ISB5.9G CM2180, ISB6.7 2010 DCX PICKUP, ISB6.7 2013 DCX CHASSIS CAB, ISB6.7 CM2150 SQ, ISB6.7 CM2250, ISB6.7 CM2350 B101, ISB6.7 CM2350 B103, ISB6.7 CM2350 B142, ISB6.7 CM2670 B153B, ISB6.7 G CM2180 B118, ISBE CM2150, ISBE CM800, ISBE2/ISBE3 CM850, ISBE4 CM850, ISD4.5 CM2150, ISD6.7 CM2880 D101, ISF2.8 CM2220, ISF2.8 CM2220 AN, ISF2.8 CM2220 EC, ISF2.8 CM2220 ECF2, ISF2.8 CM2220 F101, ISF2.8 CM2220 F117, ISF2.8 CM2220 F122, ISF2.8 CM2220 F126, ISF2.8 CM2220 F129, ISF2.8 CM2220 IAN, ISF3.8 CM2220, ISF3.8 CM2220 AN, ISF3.8 CM2220 F103, ISF3.8 CM2220 F110, ISF3.8 CM2220 F116, ISF3.8 CM2220 F134B, ISF3.8 CM2220 IAN, ISF3.8 CM2350 F109, ISF4.5 CM2220 F123, ISG11 CM2880 G106, ISG11 CM2880 G108, ISG12 CM2880 G107, ISG12 CM2880 G109, ISG12 G CMOH6.0 G111, QSB3.9 30 CM550, QSB3.9 CM2880 B138, QSB4.5 30 CM550, QSB4.5 CM2150 B108, QSB4.5 CM2250 B131, QSB4.5 CM2250 EC, QSB4.5 CM2350 B106, QSB4.5 CM2350 B122			



Cart	Ref No	Part Number	Part Description	Required	Remarks
<input type="button" value="View My Cart"/>					
		PP953	Cylinder Head		CPL953
<input type="checkbox"/>		3910276	Cylinder Head	1	
<input type="checkbox"/>	1	3913391	Cylinder Head	1	
	2	3902606	Expansion Plug	5	Replace With 3922073
<input type="checkbox"/>	3	3008465	Pipe Plug	2	1/8 NPT
<input type="checkbox"/>	4	3008468	Pipe Plug	5	1/2 NPT.
<input type="checkbox"/>		3802005	Intake Valve	6	
<input type="checkbox"/>	5	3900250	Valve Collet	12	
	9	3901117	Intake Valve	6	
<input type="checkbox"/>		3802006	Exhaust Valve	6	
<input type="checkbox"/>	5	3900250	Valve Collet	12	
	10	3901607	Exhaust Valve	6	
<input type="checkbox"/>		3008469	Pipe Plug	1	3/4 NPT
<input type="checkbox"/>	6	3900276	Valve Spring	12	
<input type="checkbox"/>	7	3900299	Valve Spring Retainer	12	
<input type="checkbox"/>	8	3901097	Valve Stem Seal	12	
<input type="checkbox"/>	12	3920779	Hexagon Flange Head Cap Screw	6	M12 X 1.75 X 70
<input type="checkbox"/>	13	3920780	Hexagon Flange Head Cap Screw	14	M12 X 1.75 X 120
<input type="checkbox"/>	14	3921394	Cylinder Head Gasket	1	Standard
<input type="checkbox"/>	15	S 982	Reducing Pipe Bushing	2	3/4 NPTF(Ext) X 1/2 NPTF(Int)
		3908225	Hose Coupling		
<input type="checkbox"/>	11	3906619	Pipe Plug	1	1/8 NPT.
<input type="checkbox"/>	16	3908221	Elbow Hose Coupling	1	
<input type="checkbox"/>	22	3905639	Aftercooler Tube	1	
<input type="checkbox"/>	14	3921396	Cylinder Head Gasket	A/R	.25mm Oversize
<input type="checkbox"/>	14	3921398	Cylinder Head Gasket	A/R	.50mm Oversize

<input type="checkbox"/>	17	3904105	Valve Insert		Exhaust
<input type="checkbox"/>	18	3906854	Valve Insert		Intake
<input type="checkbox"/>	19	3904408	Valve Stem Guide		Thick Wall 60.50mm Long
					intake
<input type="checkbox"/>	20	3904409	Valve Stem Guide		Thick Wall 51.75mm Long
					exhaust
<input type="checkbox"/>	21	3906206	Valve Stem Guide		Thin Wall Can be Used on
					intake and exhaust

© 2019 Cummins Inc., Box 3005, Columbus, IN 47202-3005 U.S.A.
Terms of Use and Disclaimers | Recommended System Requirements
Need Assistance? Please click on the Contact Us button in the top right corner of any page.